



FGD

Glass Solutions

470 Satellite Blvd NE Suite A Suwanee, GA 30024

Phone: 770-614-4121

Fax: (770) 614-4180

Manhattan Top Mount Barn-Door Hardware



Specifications

Name	Manhattan Top Mount Roller
Finishes	Flat Black, Dark Grey, Charcoal, Polished Stainless, Brushed Stainless, Oil Rubbed Bronze
Track Length	Depending on Opening
Roller Size	3.2"
Parts Included	Bar, Rollers, Wall Mounts, Screws, Floor Guide, Anti-Jump Disk, Stops
Handle	Not Included
Lock	Not Included
Customization	Contact Us to learn more about customization options

Inspire Invision Design Build



FGD

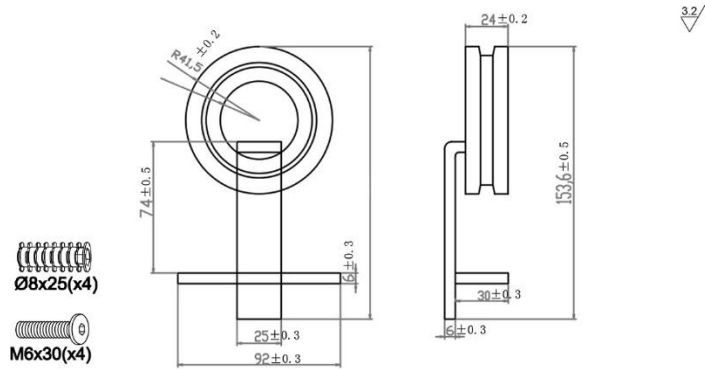
Glass Solutions

470 Satellite Blvd NE Suite A Suwanee, GA 30024

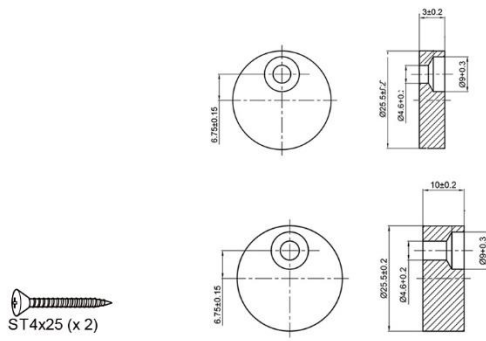
Phone: 770-614-4121

Fax: (770) 614-4180

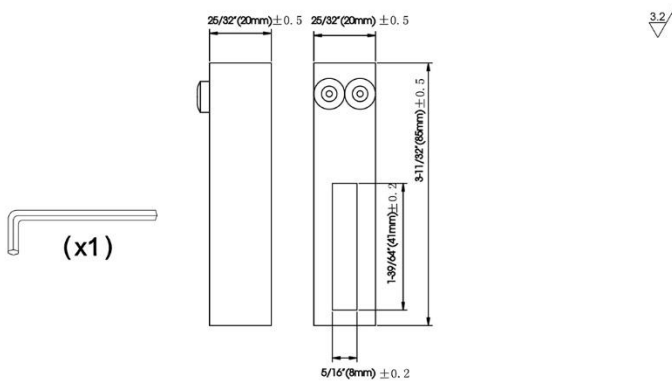
Roller



Anti-Jump Disc



Stop





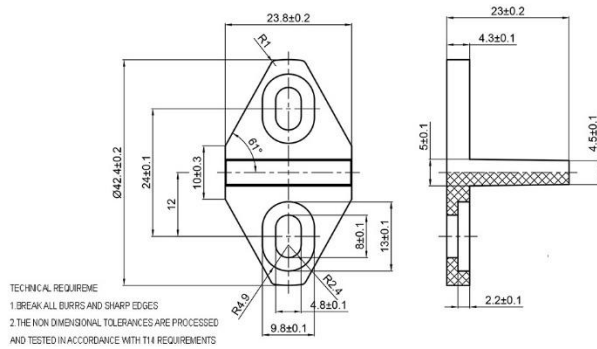
FGD
Glass Solutions

470 Satellite Blvd NE Suite A Suwanee, GA 30024



Phone: 770-614-4121

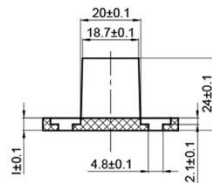
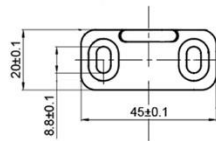
Fax: (770) 614-4180

Floor Guide



Non-Mortise Floor Guide

 **ST4.2x25 (x4)**
 **Ø6 (x4)**



32