



CUMBERLAND GLASS SHOWER ENCLOSURE

With bold looks, sleek design, large smooth rolling steel wheels upon a sturdy header, our Cumberland glass shower enclosure fits perfectly in luxe high end environments all the way to cozy chic spaces. With a stainless steel design, modern style, and soft-close door feature, this shower is the definition of class.



FGD
Glass Solutions

PARTS SPECIFICATIONS (IN inches and MM)

POINTS OF INTEREST

- 3/8 in. and 5/8"
- Various hardware finishes available
- Fully frameless glass design
- Adjustable stainless steel rollers for smooth sliding
- Large wheels allowing for featherless sliding operation Anti-Collision block
- Aluminum threshold water diverter
- Materials: ANSI certified tempered glass, solid stainless steel hardware
- Studs or reinforcement behind finished walls required for installation
- **Dual by-pass soft-close doors**

SPECS

Enclosure Style: In-Line
Custom Enclosure Layouts: Contact Us for Additional Layout Options
Enclosure Type: Frameless
Door Style: Double By-Pass Soft Close
Number of Doors: 2
Door Swing: Sliding
Fits Opening: 60" w x 84" h
Custom Sizes: Yes
Glass Thickness: 3/8" (10mm)
Glass Types: Standard Clear, Low-Iron, & Frosted
Hardware Material: Stainless Steel

HARDWARE FINISHES

Chrome, Stainless Steel, & Satin Black

HANDLE OPTIONS

D-Pull, Ladder Pull, Square Mitered Pull, D-Pull Combo, Square Mitered Pull Combo

HANDLE SIZES

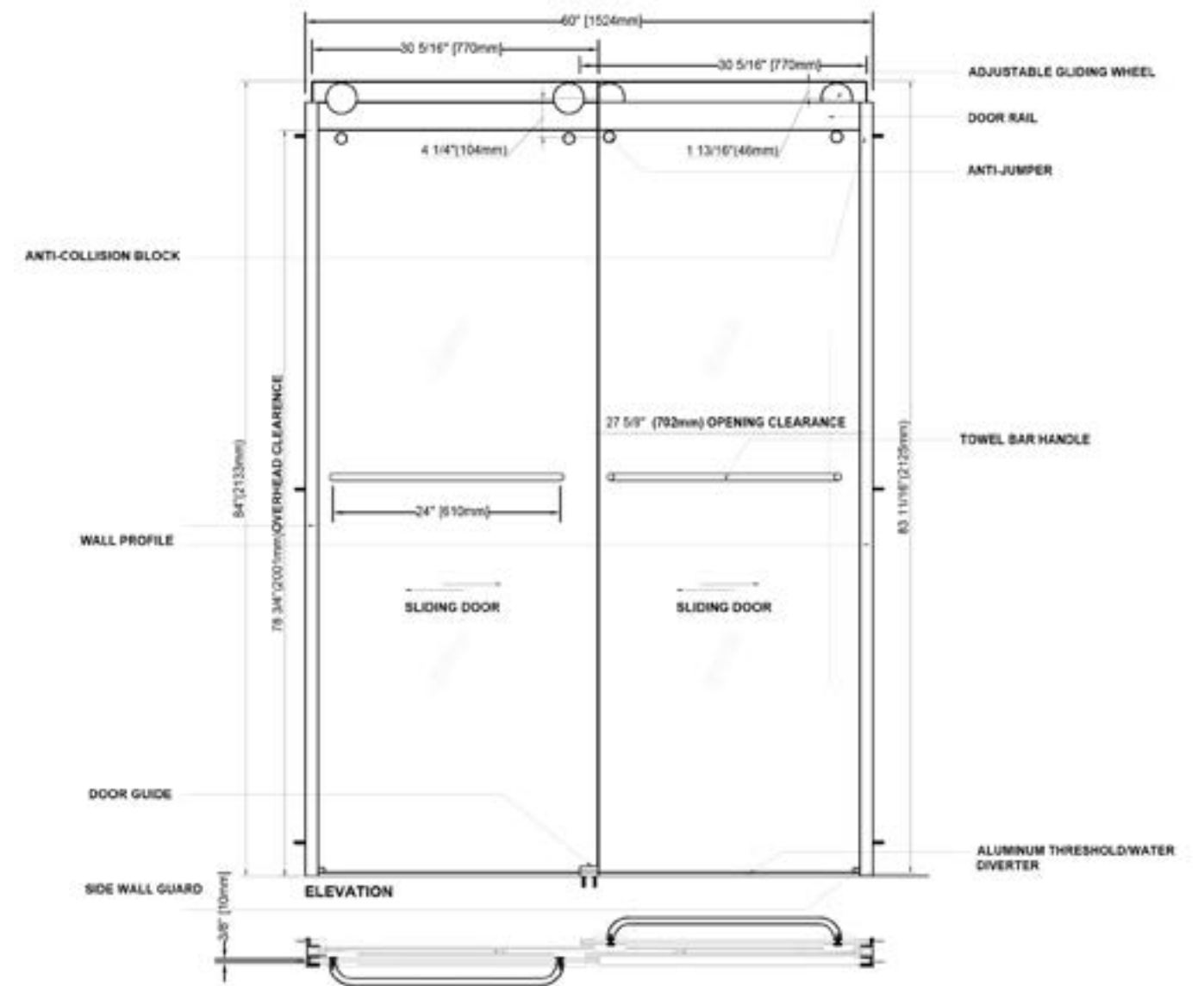
24"

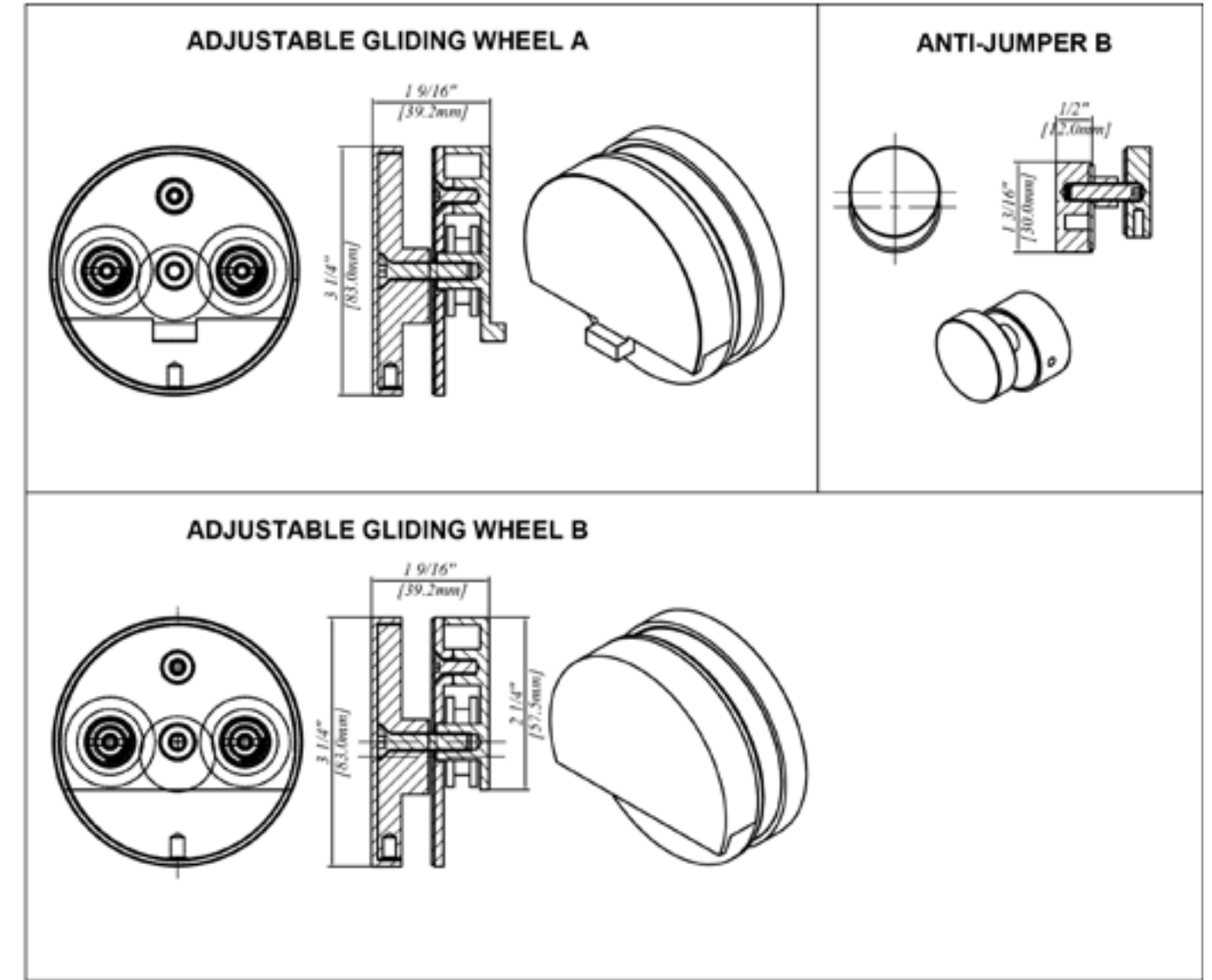
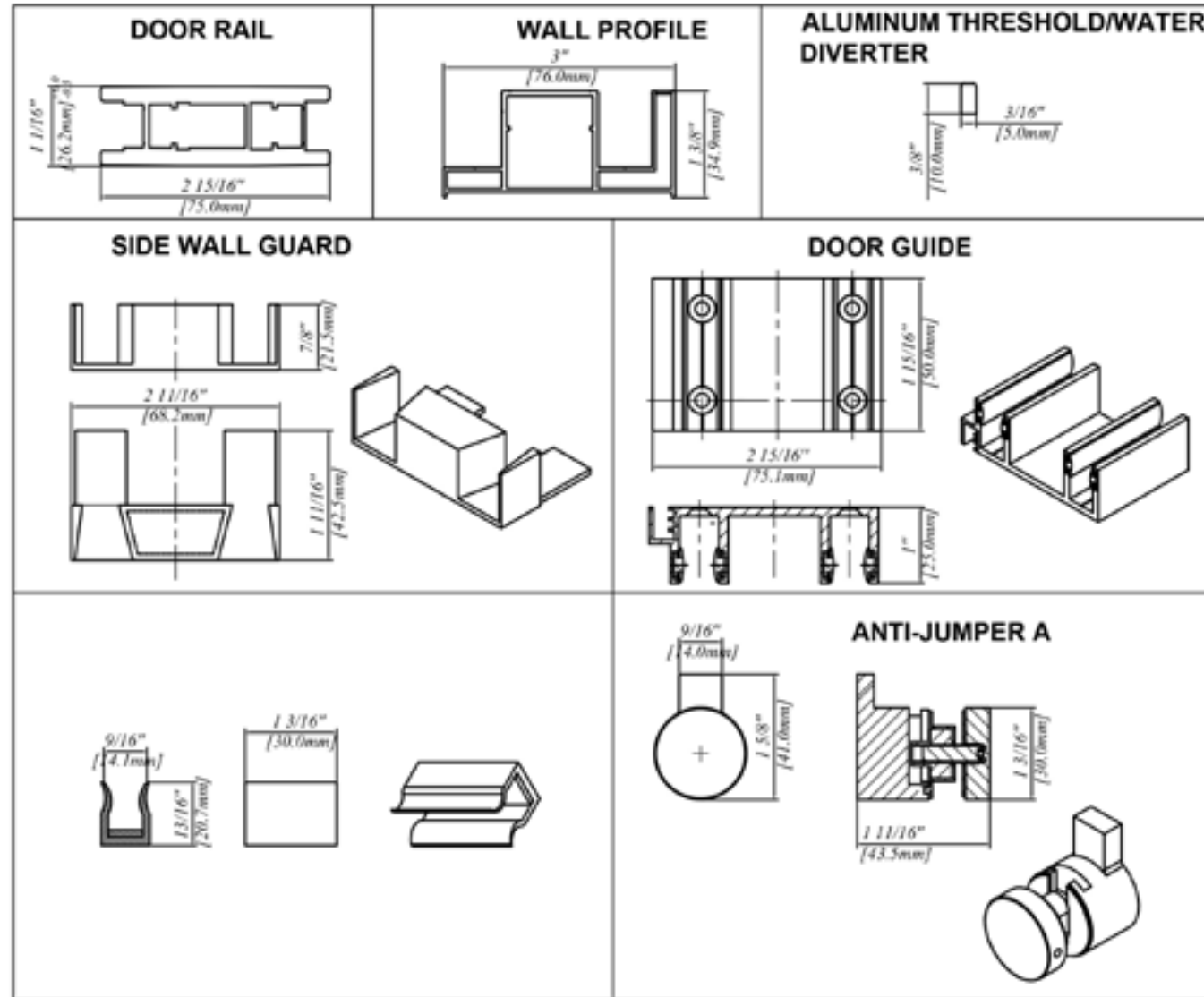
TOWEL BAR SIZES

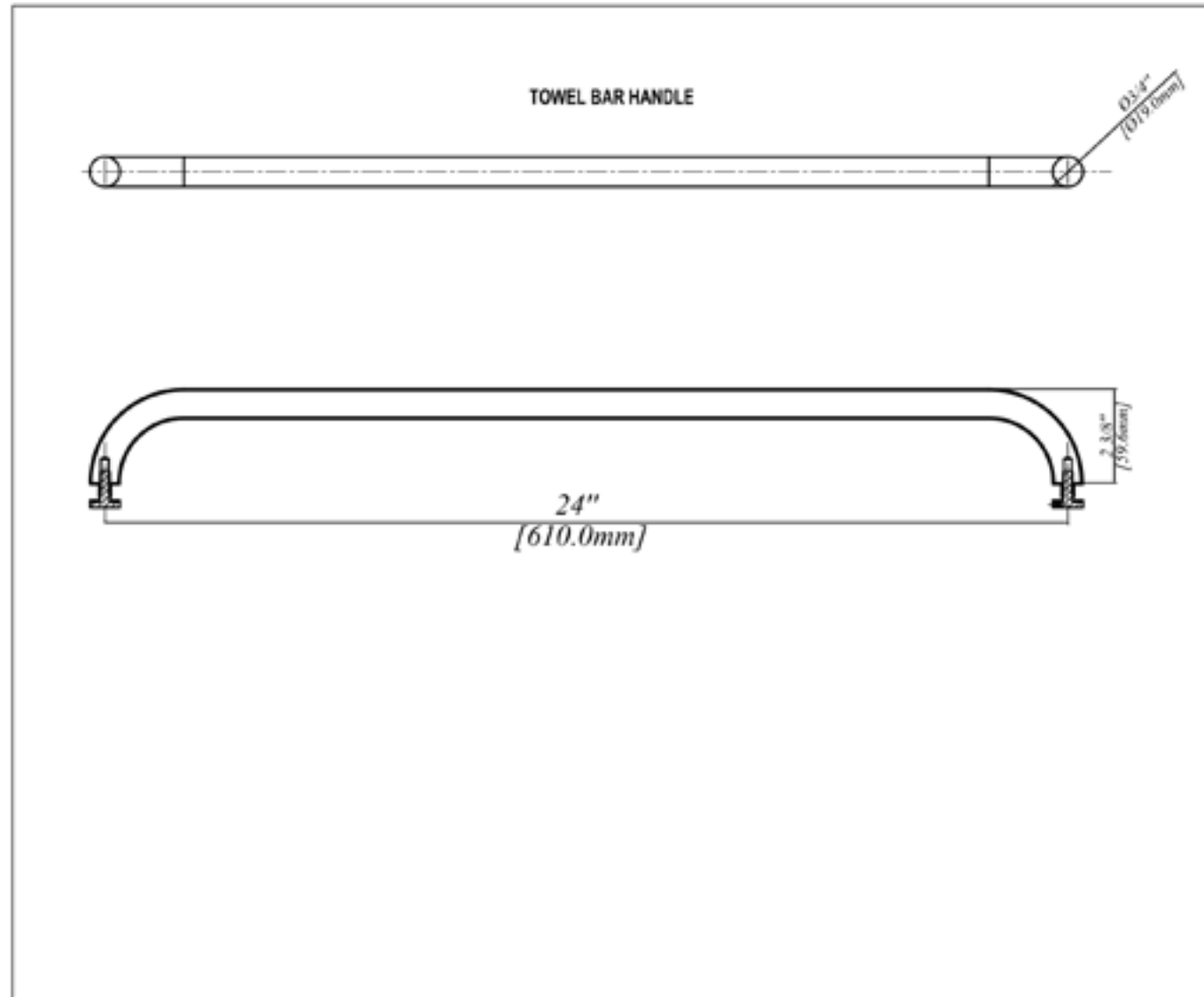
24"

GLASS PANEL TYPES

Standard Clear & Low Iron







INSPIRE | ENVISION | DESIGN | BUILD

We inspire our clients to envision dramatic concepts by providing architectural decorative glass and hardware solutions that bring their vision to life.

FGD-OSS is a premier Decorative Architectural Glass fabricator and supplier serving the Hospitality and Design Industry by utilizing our award winning designs and in-house fabricating. After more than a decade FGD-OSS has become a leading Decorative Architectural Glass source for Architects, Designers, and Contractors, and has earned the trust of some of the largest firms in the nation; discover what we can do for yours.

470 Satellite Blvd NE Suite A, Suwanee, GA 30024 | Phone: 770-614-4121 Fax: 770-614-4180 | FGDglass.com