



ST. MAARTEN GLASS SHOWER ENCLOSURE

An alternate version of our most popular Antigua glass shower model, the St. Maarten features clean lines and post-modern looks and features. Offered in various finishes, glass types, and hardware options, the St. Maarten is the perfect dual by-pass glass shower model for any hotel on any budget.



FGD
Glass Solutions

PARTS SPECIFICATIONS (IN inches and MM)

POINTS OF INTEREST

- 5/16", 3/8", 1/2" tempered glass
- Various hardware finishes available
- Fully frameless glass design
- Adjustable stainless steel rollers for smooth sliding
- Large wheels allowing for featherless sliding operation
- Anti-Collision block
- Aluminum threshold water diverter
- Materials: ANSI certified tempered glass, solid stainless steel hardware
- Studs or reinforcement behind finished walls required for installation

SPECS

Enclosure Style: In-Line
Custom Enclosure Layouts: Contact Us for Additional Layout Options
Enclosure Type: Frameless
Door Style: Single Sliding
Number of Doors: 1
Door Swing: Sliding
Fits Opening: 60"w x 76"h
Custom Sizes: Yes
Glass Thickness: 5/16", 3/8", 1/2"
Glass Types: Standard Clear, Low-Iron, & Frosted
Hardware Material: Stainless Steel

HARDWARE FINISHES

Chrome, Brushed Stainless Steel, & Flat Black

HANDLE OPTIONS

D-Pull, Ladder Pull, Square Mitered Pull, D-Pull Combo, Square Mitered Pull Combo

HANDLE SIZES

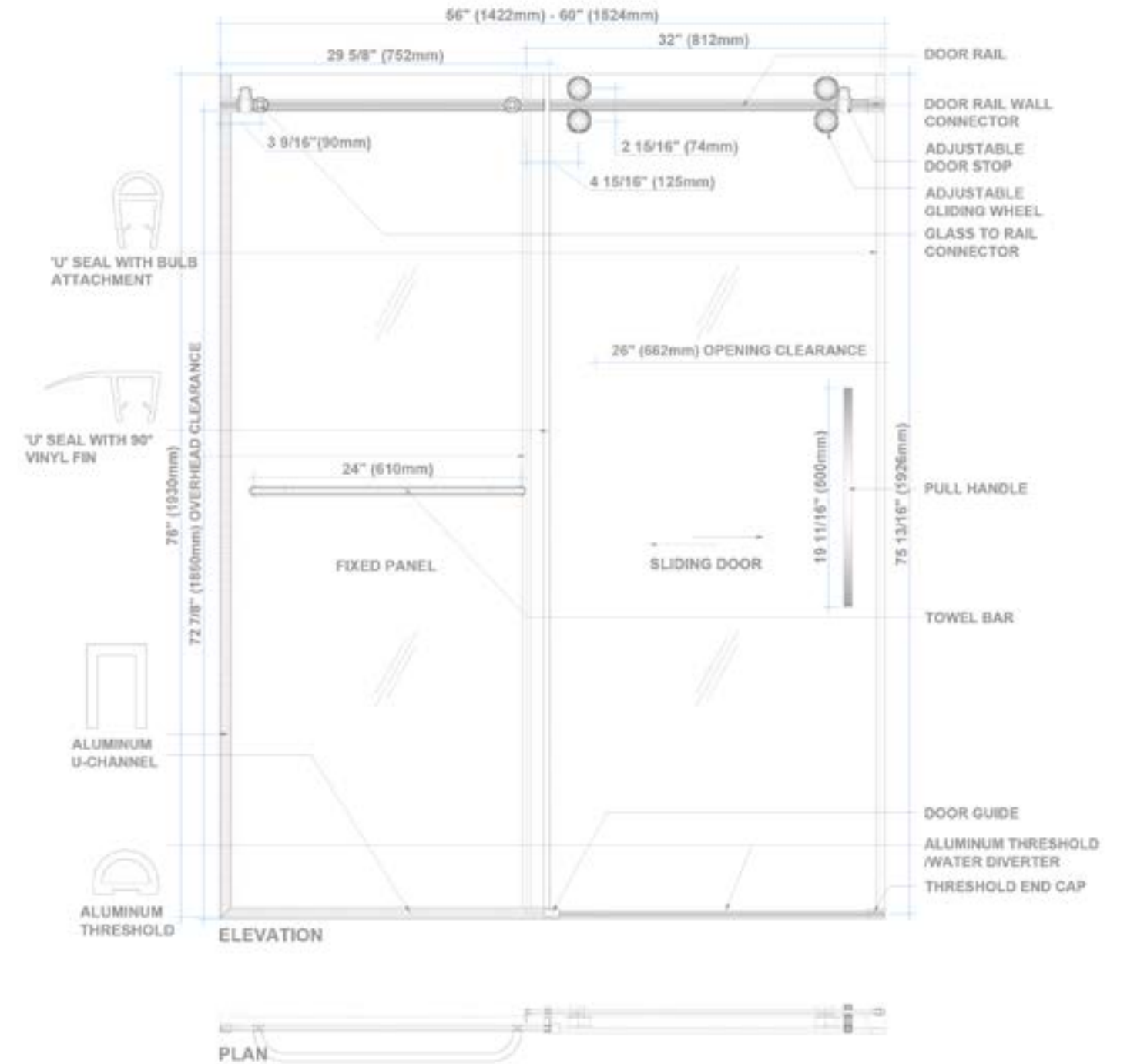
24"

TOWEL BAR SIZES


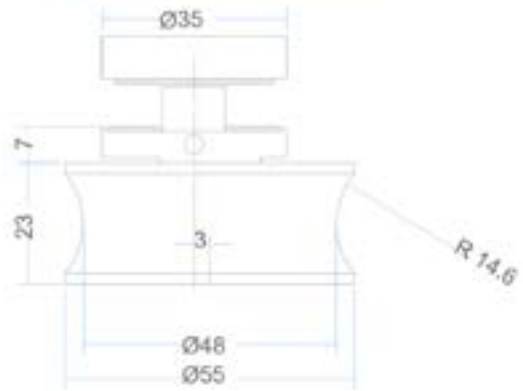
24"

GLASS PANEL TYPES


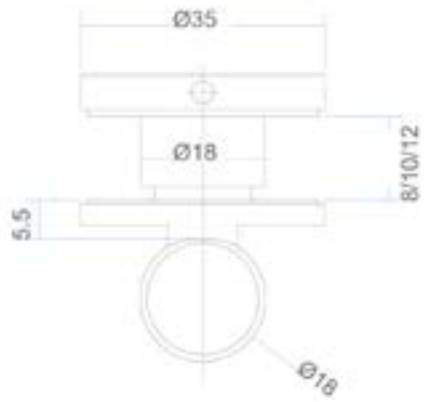
Standard Clear & Low Iron





ADJUSTABLE GLIDING WHEEL



GLASS TO RAIL CONNECTOR

ALUMINUM U-CHANNEL

DOOR RAIL



DOOR RAIL WALL CONNECTOR




ADJUSTABLE DOOR STOP




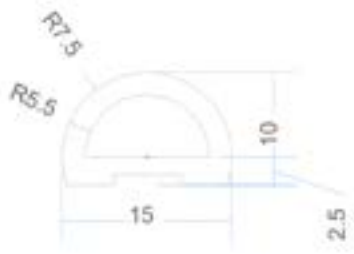

PULL HANDLE


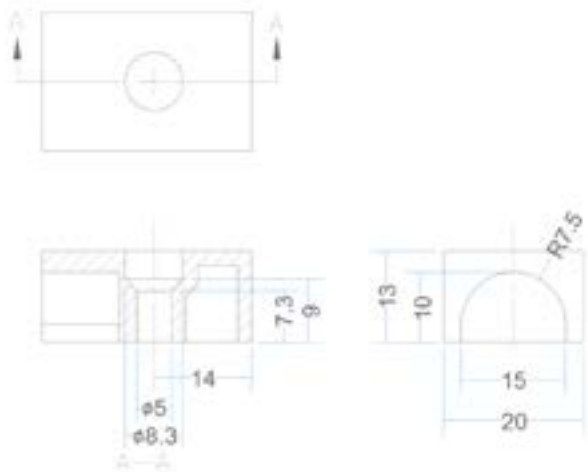
TOWEL BAR




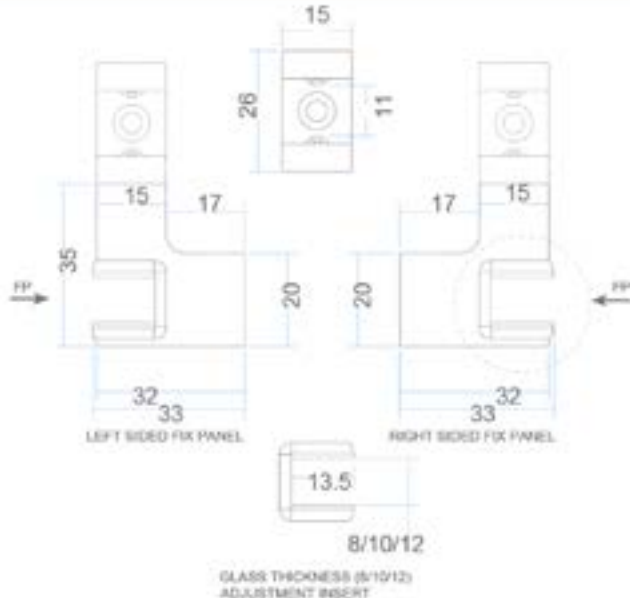

ALUMINIUM THRESHOLD / WATER DIVERTER

THRESHOLD END CAP

DOOR GUIDE

'U' SEAL WITH 90 DEGREE VINYL FIN



'U' SEAL WITH BULB ATTACHMENT



CUSTOM OPTIONS

DIMENSIONS

- 48 in. (1219 mm) wide x 76 in. (1930 mm) height
- 66 in. (1676 mm) wide x 76 in. (1930 mm) height
- 72 in. (1828 mm) wide x 76 in. (1930 mm) height
- Custom sizes and configurations available to fit specific project

GLASS

- 5/16 in. (8 mm), 3/8 in. (10 mm) thicknesses
- Clear and frosted

HARDWARE

- Chrome, Brushed Stainless and Satin Black



GLASS COATINGS

- Nano Fusion - is baked in with lifetime warranty
- Surface Shield - is surface applied with three (3) years of warranty



- Frosted glass made with acid etching process, easy to clean and leaves no finger prints



NOTE

- Shower pan with minimum curb width of 2 3/4 in. (70 mm) required.
- Opening clearance based on a 60 in. (1524 mm) opening between the finished walls. Dimensions variable depending on finished opening and location of door stop when installed.
- Opening direction required with optional glass coating or frosted glass.
- **Blocking required where door rail wall connectors are installed.**



INSPIRE | ENVISION | DESIGN | BUILD

We inspire our clients to envision dramatic concepts by providing architectural decorative glass and hardware solutions that bring their vision to life.

FGD-OSS is a premier Decorative Architectural Glass fabricator and supplier serving the Hospitality and Design Industry by utilizing our award winning designs and in-house fabricating. After more than a decade FGD-OSS has become a leading Decorative Architectural Glass source for Architects, Designers, and Contractors, and has earned the trust of some of the largest firms in the nation; discover what we can do for yours.

470 Satellite Blvd NE Suite A, Suwanee, GA 30024 | Phone: 770-614-4121 Fax: 770-614-4180 | FGDglass.com